



---

REACH-IN FREEZER

HF-78MC-S  
HF-78MC-S-X  
HF-78MC-SLG  
HF-78MC-SLG-E

## PARTS LIST

[HS] [HVN] [HHK] [HID] [HTH] [HMY]

S178-V000,S178-W101,S178-C100,S178-V030  
S178-V130,S178-V230,S178-V330,S178-V430

Q-1 JAN. 2025

**Product Code      Spec**

**HF-78MC-S**

<b>S178-V000</b>	For HS;
<b>S178-C100</b>	For HHK;

**HF-78MC-SLG-E**

<b>S178-V030</b>	For HS;
------------------	---------

**HF-78MC-SLG**

<b>S178-V130</b>	For HVN;
<b>S178-V230</b>	For HID;
<b>S178-V330</b>	For HTH;
<b>S178-V430</b>	For HMY;

**HF-78MC-S-X**

<b>S178-W101</b>	For HVN;
------------------	----------

**AUXILIARY CODE**

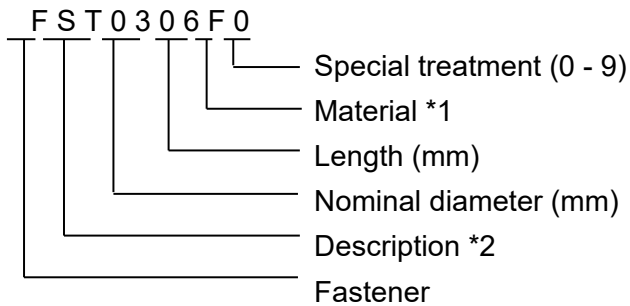
**U - 1**

The auxiliary code is the first two characters in the serial number. The first character indicates the production year. Years progress or regress in alphabetical order. The series of letters and skipped letters depend on UL listing, production, and model. See the auxiliary code(s) and corresponding year(s) on the front cover.

The second character indicates significant part changes within the same year. Base is "1" and this number advances for each change. If there is no significant part change at the turn of the year, this number starts from "0."

# FASTENER PART NUMBER

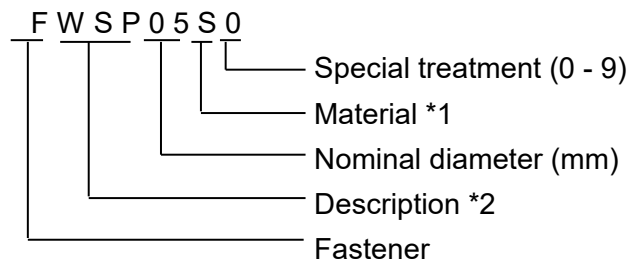
## SCREWS



\*1

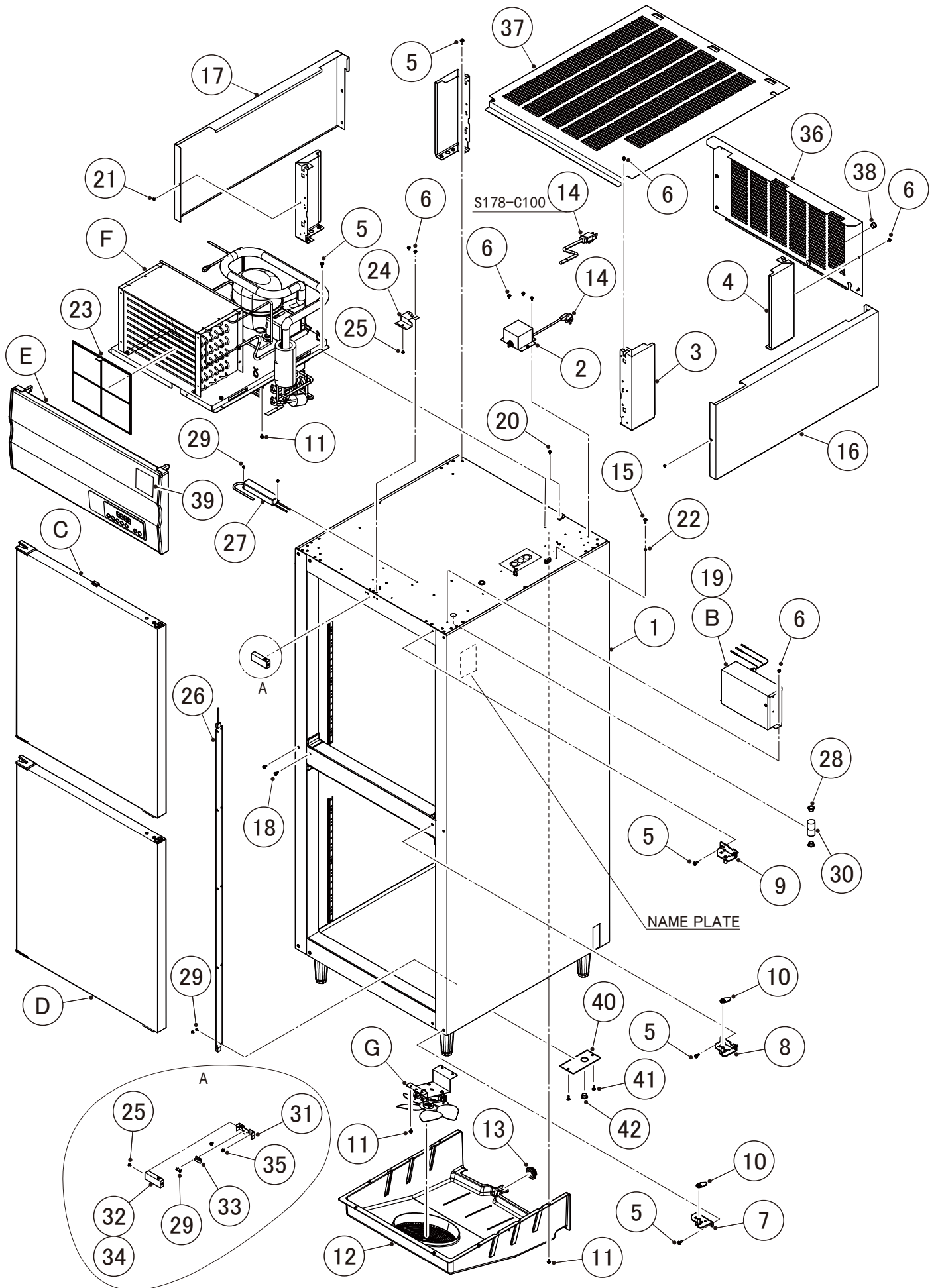
- F: Steel
- S: Austenitic stainless steel
- M: Martensitic stainless steel
- B: Copper alloy
- P: Polycarbonate
- N: Polyamide
- V: PVC
- A: ABS
- X: Polyacetal
- L: Aluminum

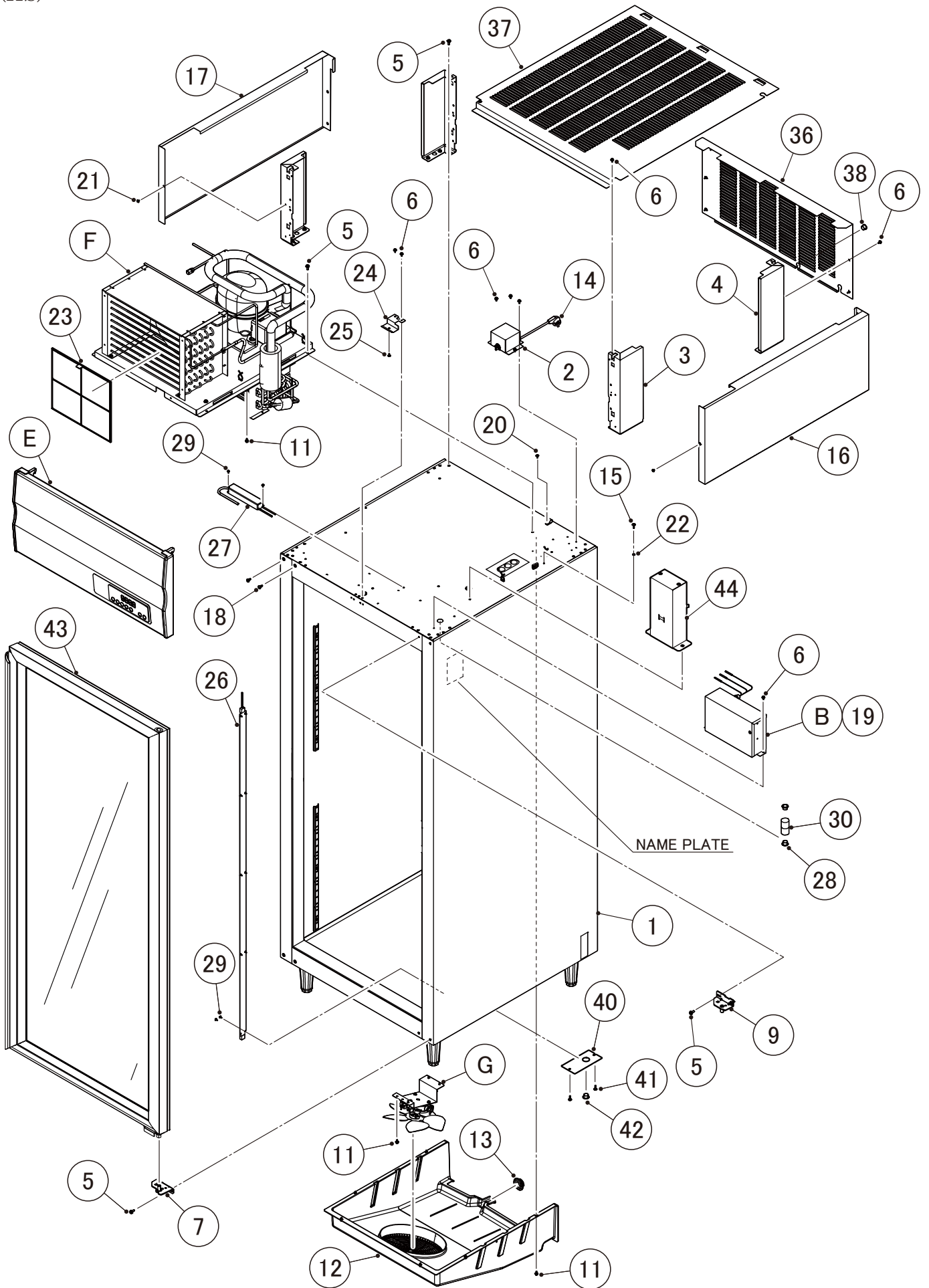
## NUTS & WASHERS



\*2

- First letter
- S: Machine screw
- T: Tapping screw
- M: Wood screw
- B: Bolt
- W: Washer
- N: Nut





MODEL: **HF-78MC-S**  
**HF-78MC-SLG-E**

TITLE: **A. REFRIGERATOR ASSY**

INDEX NO.	DESCRIPTION	MATERIAL OR MODEL NUMBER	PART NUMBER	REQ'D NUMBER			
				Q-1 and later			
B	CONTROL BOX ASSY	(S-35525)	3C1023A02	1			
C	DOOR R,AY	(S-35835) S178-V000 S178-C100	2C1768A01	1			
D	DOOR R,AY	(S-30223) S178-V000 S178-C100	274435A01	1			
E	FRONT PANEL ASSY	(S-35526)	2C1198A05	1			
		S178-V030	2C1198001	1			
F	REFRIGERATION ASSY		1C1073A01	1			
		S178-V030	1C1073001	1			
G	FAN MOTOR AY		3C1181A02	1			
L	LABEL LOCATION		-	1			
M	ACCESSORIES		-	1			
1	BODY	S178-V000	1C1018G02	1			
		S178-C100	1C0807008	1			
		S178-V030	1C1018012	1			
2	CONNECTOR BOX G	S178-V000 S178-V030	3C0471G01	1			
3	GRIP(A)		260268M01	2			
4	GRIP(B)		260269M01	2			
5	FLANGE BOLT (S-TITE)		P02005-01	24			
6	FLANGE BOLT (S-TITE)	S178-V000	445994-05	16			
		S178-C100 S178-V030		14			
7	DOOR HINGE (R) , LO		375316G01	1			
		S178-V030	3C2112M01	1			
8	DOOR HINGE (R) , CT	S178-V000 S178-C100	375317G01	1			
9	DOOR HINGE (R) , UP		375315G01	1			
		S178-V030	3C2117G01	1			
10	HINGE COLLAR - HINGE	S178-V000 S178-C100	339948-01	2			

MODEL: **HF-78MC-S**  
**HF-78MC-SLG-E**

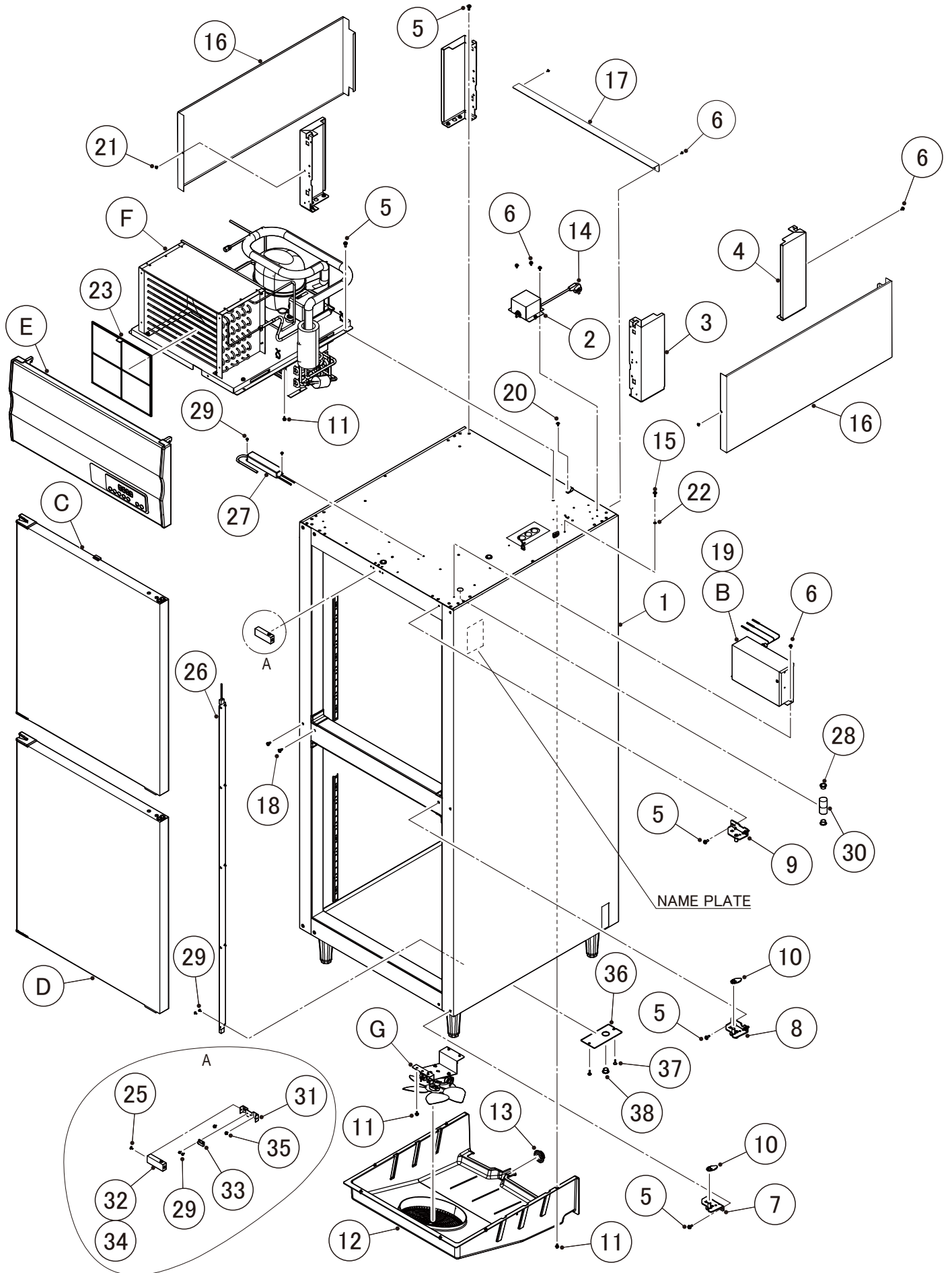
TITLE: **A. REFRIGERATOR ASSY**

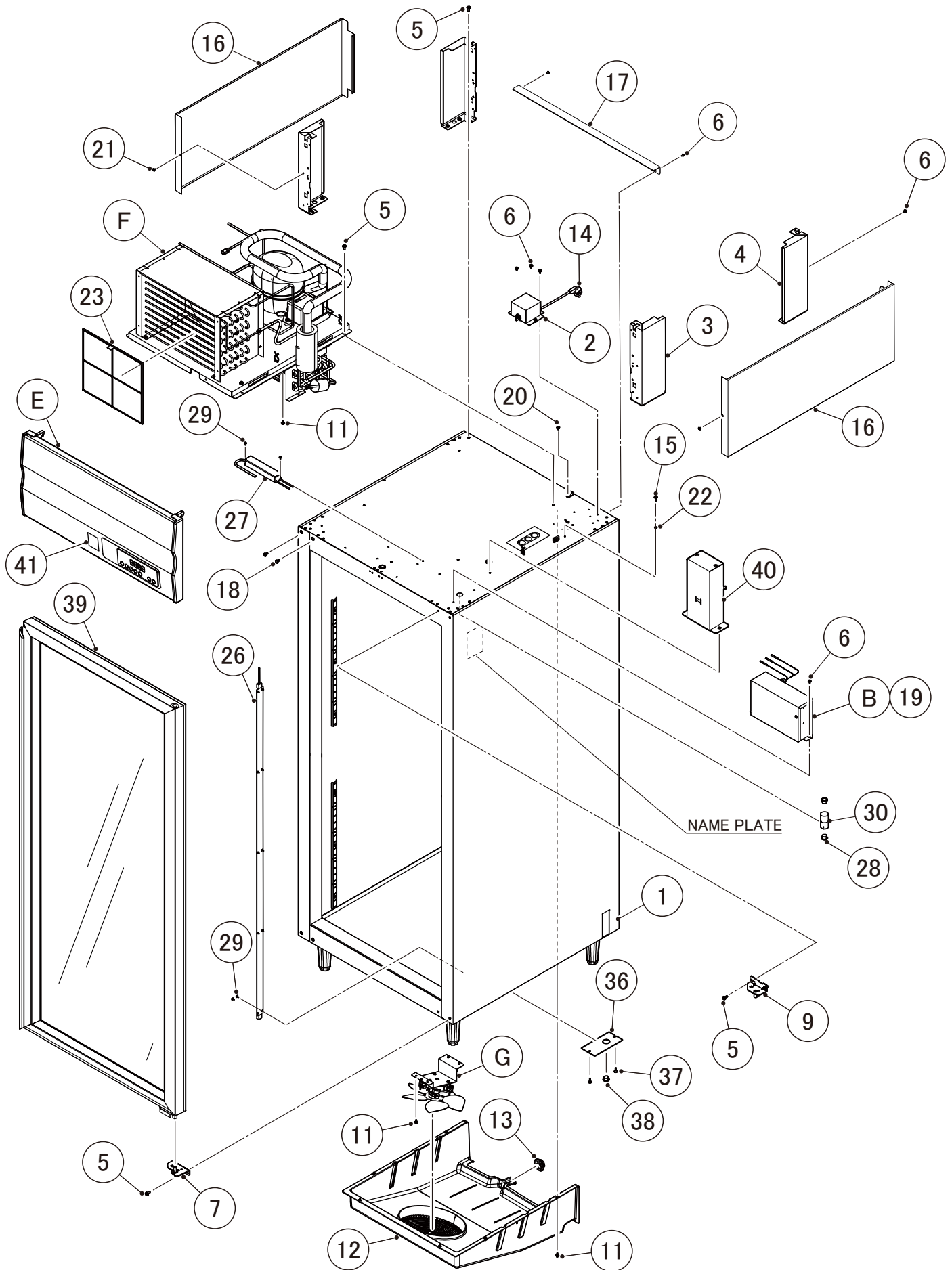
INDEX NO.	DESCRIPTION	MATERIAL OR MODEL NUMBER	PART NUMBER	REQ'D NUMBER			
				Q-1 and later			
11	HEX HEAD BOLT SW		FBK0410S0	14			
12	AIR DUCT(G) - F		2C2494G01	1			
13	GASKET - DORAIN ELBOW		475688R01	1			
14	POWER CORD	S178-V000 S178-V030	P02795-01	1			
	POWER SUPPLY CORD -HS	S178-C100	474677G01	1			
15	TRUSS HEAD SCREW		FST0412S0	1			
16	SIDE PANEL (R)		382770M02	1			
17	SIDE PANEL (L)		382771M02	1			
18	HOLE PLUG		463980-01	6			
		S178-V030		4			
19	WIRING LABEL		2C1772L01	1			
		S178-V030	2C2412L01	1			
20	TRUSS HEAD SCREW	S178-V000 S178-V030	FST0408F0	1			
21	S-TITE TRUSS HEAD SCREW		FTS0406M0	2			
22	SPRING WASHER		FWSP04S0	1			
23	AIR FILTER		390730G01	1			
24	BRACKET - FRONT		4C0627M01	1			
25	TRUSS HEAD SCREW	S178-V000 S178-C100	FST0408S0	2			
26	LED LAMP	S178-V000 S178-V030	P05001-01	1			
27	SWITCHING REGULATOR	S178-V000 S178-V030	P05002-01	1			
28	BUSHING	S178-V000 S178-V030	428394-01	2			
29	PAN HEAD SCREW SW	S178-V000	FSK0308S0	16			
		S178-V030		14			
30	INSULATION	S178-V000 S178-V030	4R5835Z01	2			
31	BRACKET - LEAD SWITCH	S178-V000 S178-C100	3C1273M01	1			
32	COVER - LEAD SWITCH	S178-V000 S178-C100	4C0667M01	1			
33	REED SWITCH	S178-V000 S178-C100	P02940-01	1			

MODEL: **HF-78MC-S**  
**HF-78MC-SLG-E**

TITLE: **A. REFRIGERATOR ASSY**

INDEX NO.	DESCRIPTION	MATERIAL OR MODEL NUMBER	PART NUMBER	REQ'D NUMBER			
				Q-1 and later			
34	BUSHING	S178-V000 S178-C100	428394-07	1			
35	HEX HEAD BOLT SW	S178-V000 S178-C100	FBK0408S0	2			
36	REAR COVER		269177M01	1			
37	TOP COVER		279140M01	1			
38	BUSHING		428394-03	1			
39	LABEL - ENERGY	S178-V000	292088L21	1			
40	COVER	S178-C100 S178-V030	386702M01	1			
41	T2 TRUSS HEAD SCREW	S178-C100 S178-V030	FT20408M0	2			
42	GROMMET	S178-C100 S178-V030	410666-05	1			
43	GLASS DOOR(R),ASSY-77	S178-V030	C07927-01	1			
44	CAPACITOR BOX	S178-V030	2C2408G01	1			





MODEL: **HF-78MC-S-X**  
**HF-78MC-SLG**

TITLE: **A. REFRIGERATOR ASSY**

INDEX NO.	DESCRIPTION	MATERIAL OR MODEL NUMBER	PART NUMBER	REQ'D NUMBER			
				Q-1 and later			
B	CONTROL BOX ASSY	(S-35525)	3C1023A02	1			
C	DOOR R,AY	(S-35835) S178-W101	2C1768A01	1			
D	DOOR R,AY	(S-30223) S178-W101	274435A01	1			
E	FRONT PANEL ASSY	(S-35526) S178-W101	2C1198A05	1			
		S178-V130 S178-V230 S178-V330 S178-V430	2C1198001	1			
F	REFRIGERATION ASSY		1C1073001	1			
G	FAN MOTOR AY		3C1181A02	1			
L	LABEL LOCATION		2C1780003	1			
M	ACCESSORIES		A03604104	1			
1	BODY	S178-W101	1C1018002	1			
		S178-V130 S178-V230 S178-V330 S178-V430	1C1018012	1			
2	CONNECTOR BOX G		3C0471G01	1			
3	GRIP(A)		260268M01	2			
4	GRIP(B)		260269M01	2			
5	FLANGE BOLT (S-TITE)		P02005-01	22			
6	FLANGE BOLT (S-TITE)	S178-W101	445994-05	8			
		S178-V130 S178-V230 S178-V330 S178-V430		10			
7	DOOR HINGE (R) , LO	S178-W101	375316G01	1			
		S178-V130 S178-V230 S178-V330 S178-V430	3C2112M01	1			
8	DOOR HINGE (R) , CT	S178-W101	375317G01	1			

MODEL: **HF-78MC-S-X**  
**HF-78MC-SLG**

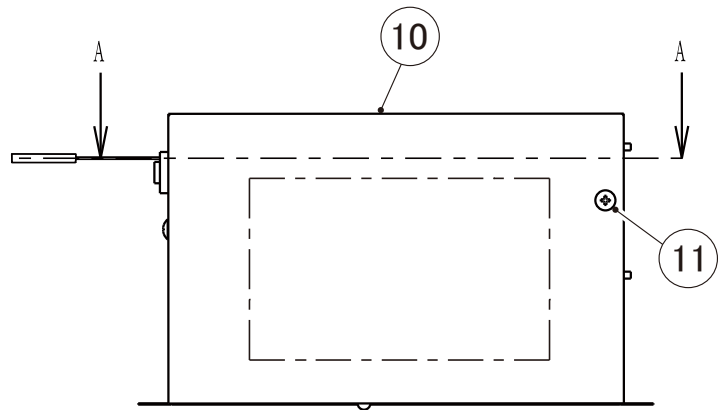
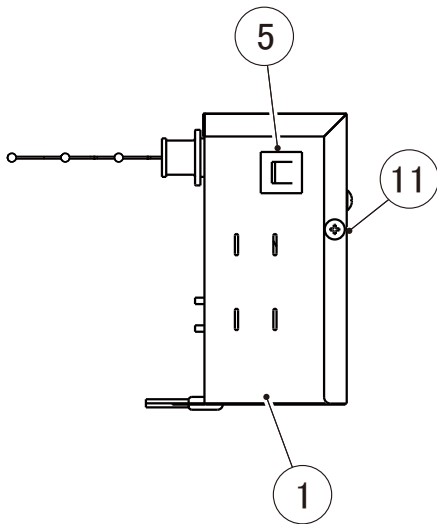
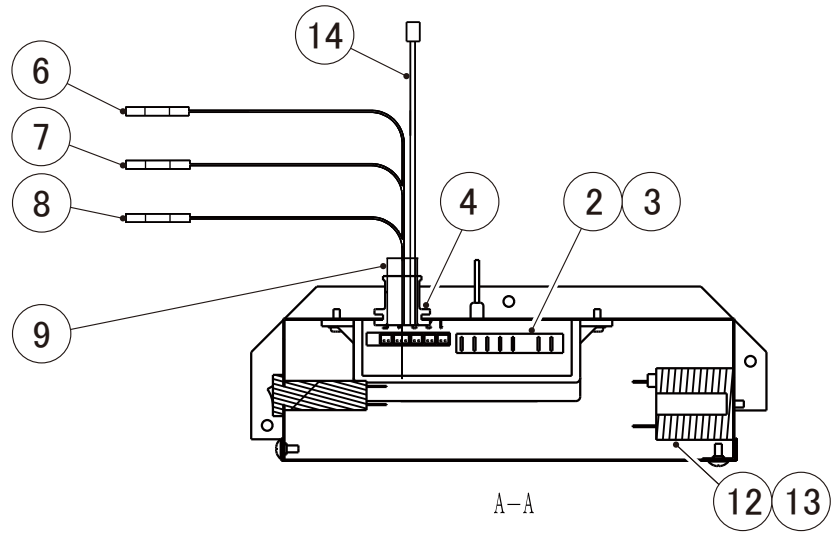
TITLE: **A. REFRIGERATOR ASSY**

INDEX NO.	DESCRIPTION	MATERIAL OR MODEL NUMBER	PART NUMBER	REQ'D NUMBER			
				Q-1 and later			
9	DOOR HINGE (R) , UP	S178-W101	375315G01	1			
		S178-V130 S178-V230 S178-V330 S178-V430	3C2117G01	1			
10	HINGE COLLAR - HINGE	S178-W101	339948-01	2			
11	HEX HEAD BOLT SW		FBK0410S0	14			
12	AIR DUCT(G) - F		2C2494G01	1			
13	GASKET - DORAIN ELBOW		475688R01	1			
14	POWER SUPPLY CORD	S178-W101 S178-V130	C06074-01	1			
	POWER CORD	S178-V230	P02794-01	1			
		S178-V330	P03994-01	1			
		S178-V430	P02795-01	1			
15	TRUSS HEAD SCREW		FST0412S0	1			
16	SIDE PANEL		375190M02	2			
17	CHANNEL - 70		375098M01	1			
18	HOLE PLUG	S178-W101	463980-01	6			
		S178-V130 S178-V230 S178-V330 S178-V430		4			
19	WIRING LABEL	S178-W101	2C1931L01	1			
		S178-V130 S178-V230 S178-V330 S178-V430	2C2412L01	1			
20	TRUSS HEAD SCREW		FST0408F0	1			
21	S-TITE TRUSS HEAD SCREW		FTS0406M0	2			
22	SPRING WASHER		FWSP04S0	1			
23	AIR FILTER		390730G01	1			
24	BRACKET - FRONT		4C0627M01	-			
25	TRUSS HEAD SCREW	S178-W101	FST0408S0	2			
26	LED LAMP		P05001-01	1			

MODEL: **HF-78MC-S-X**  
**HF-78MC-SLG**

TITLE: **A. REFRIGERATOR ASSY**

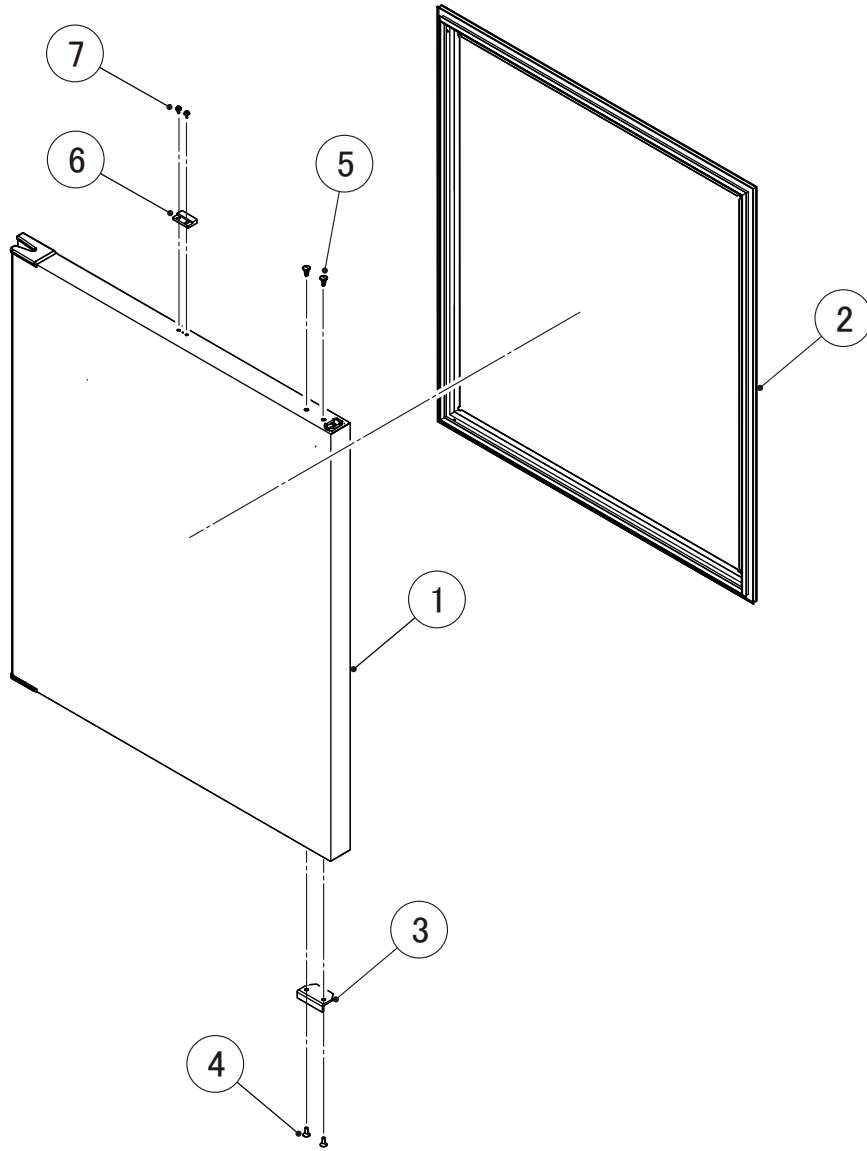
INDEX NO.	DESCRIPTION	MATERIAL OR MODEL NUMBER	PART NUMBER	REQ'D NUMBER			
				Q-1 and later			
27	SWITCHING REGULATOR		P05002-01	1			
28	BUSHING		428394-01	2			
29	PAN HEAD SCREW SW	S178-W101	FSK0308S0	16			
		S178-V130 S178-V230 S178-V330 S178-V430		14			
30	INSULATION		4R5835Z01	2			
31	BRACKET - LEAD SWITCH	S178-W101	3C1273M01	1			
32	COVER - LEAD SWITCH	S178-W101	4C0667M01	1			
33	REED SWITCH	S178-W101	P02940-01	1			
34	BUSHING	S178-W101	428394-07	1			
35	HEX HEAD BOLT SW	S178-W101	FBK0408S0	2			
36	COVER		386702M01	1			
37	T2 TRUSS HEAD SCREW		FT20408M0	2			
38	GROMMET		410666-05	1			
39	GLASS DOOR(R),ASSY-77	S178-V130 S178-V230 S178-V330 S178-V430	C07927-01	1			
40	CAPACITOR BOX	S178-V130 S178-V230 S178-V330 S178-V430	2C2408G01	1			
41	ラベル/CFC AND HCFC FREE	S178-V230	482091L01	1			



MODEL: **HF-78MC-S(LG,LG-E)**  
**HF-78MC-S-X**

TITLE: **B. CONTROL BOX ASSY(S-35525)**

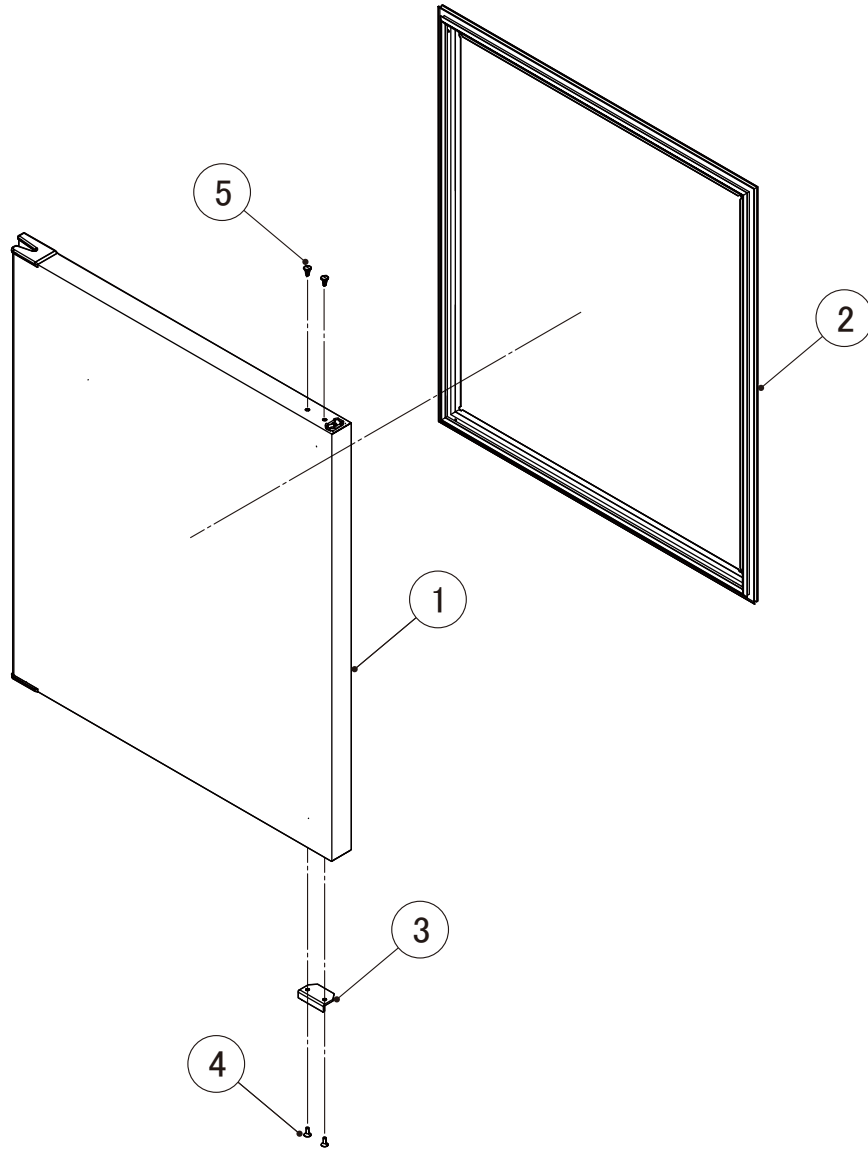
INDEX NO.	DESCRIPTION	MATERIAL OR MODEL NUMBER	PART NUMBER	REQ'D NUMBER			
				Q-1 and later			
1	CONTROL BOX		3C1021M01	1			
2	CONTROLLER		C06540-01	1			
3	T2(S) FLANGED PAN HEAD SCREW		431415-01	2			
4	GROMMET		4H2568-02	1			
5	PROTECTOR		440972-07	1			
6	TERMISTOR	線色; 白	C06414-01	1			
7	TERMISTOR	線色; 黒	C06414-02	1			
8	TERMISTOR	線色; 灰	C06414-03	1			
9	VINYL TUBE - UL		4C0050Z01	1			
10	COVER - CONTROL BOX		3C1022M01	1			
11	TRUSS HEAD SCREW		FST0408S0	2			
12	POWER RELAY		C06306-01	1			
13	T2 TRUSS HEAD SCREW		FT20408F0	2			
14	HARNESS - CONTROLLER		C06580-01	1			



MODEL: **HF-78MC-S**  
**HF-78MC-S-X**

TITLE: **C. DOOR R,AY(S-35835)**

INDEX NO.	DESCRIPTION	MATERIAL OR MODEL NUMBER	PART NUMBER	REQ'D NUMBER			
				Q-1 and later			
1	DOOR - INSULATION		274178G04	1			
2	DOOR GASKET - HD		260225G01	1			
3	DOOR STOPPER		454210-01	1			
4	FLAT HEAD TAPPING SCREW (S-TITE)		FTF0512M0	2			
5	HOLE PLUG		463980-01	2			
6	MAGNET		436974-01	1			
7	PAN HEAD SCREW SW		FSK0308S0	2			



MODEL: **HF-78MC-S**  
**HF-78MC-S-X**

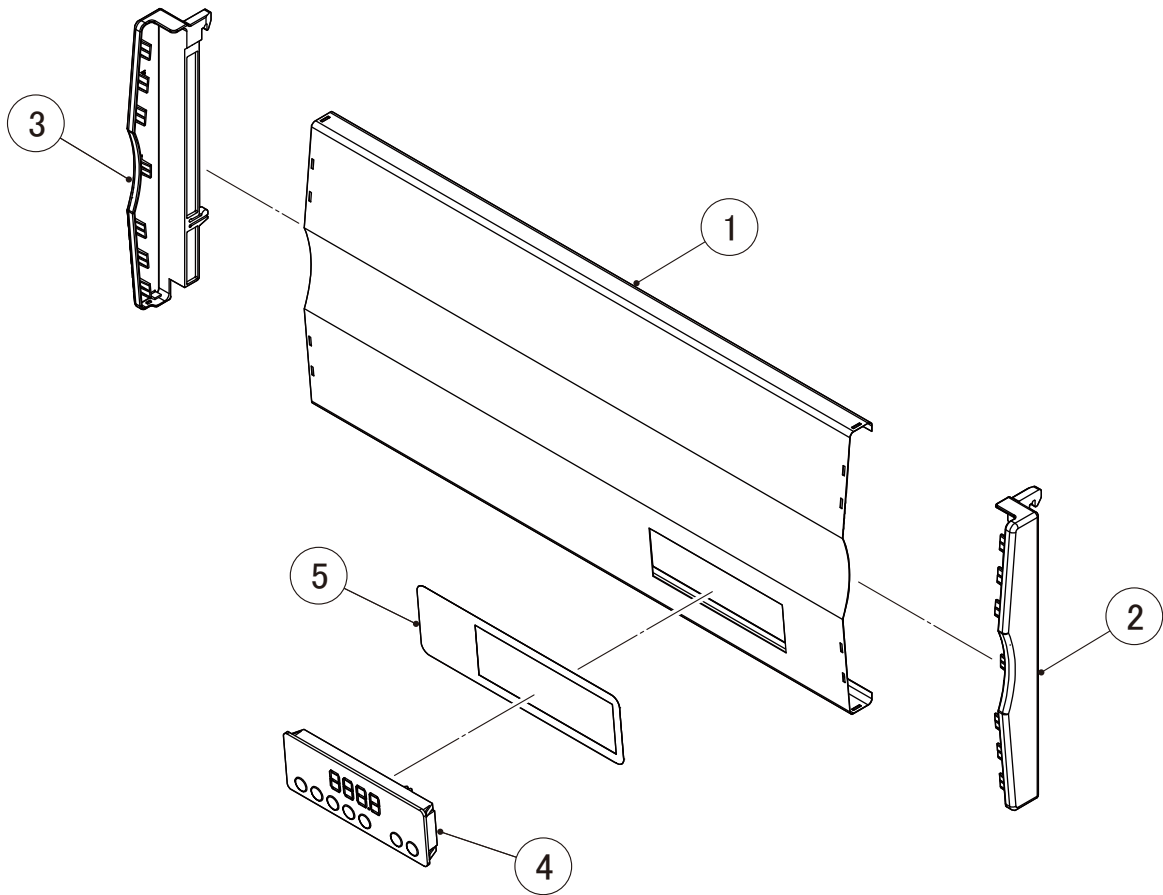
TITLE: **D. DOOR R,AY(S-30223)**

INDEX NO.	DESCRIPTION	MATERIAL OR MODEL NUMBER	PART NUMBER	REQ'D NUMBER			
				Q-1 and later			
1	DOOR - INSULATION		274178G01	1			
2	DOOR GASKET - HD		260225G01	1			
3	DOOR STOPPER		454210-01	1			
4	FLAT HEAD TAPPING SCREW (S-TITE)		FTF0512M0	2			
5	HOLE PLUG		463980-01	2			

HF-78MC-S(LG,LG-E)  
HF-78MC-S-X

E. FRONT PANEL ASSY

(Q-1) and later



MODEL: **HF-78MC-S(LG,LG-E)**  
**HF-78MC-S-X**

TITLE: **E. FRONT PANEL ASSY(S-35526)**

INDEX NO.	DESCRIPTION	MATERIAL OR MODEL NUMBER	PART NUMBER	REQ'D NUMBER			
				Q-1 and later			
1	FRONT PANEL - 70		2C1197M01	1			
	FRONT PANEL	S178-V030 S178-V130 S178-V230 S178-V330 S178-V430	2C2154M01	1			
2	CORNER - FRONT PANEL(R)		260090P01	1			
3	CORNER - FRONT PANEL(L)		260091P01	1			
4	CONTROLLER DISPLAY		C06539-01	1			
5	CHARACTER LABEL		3C1463L01	1			



MODEL: **HF-78MC-S**TITLE: **F. REFRIGERATION ASSY**

INDEX NO.	DESCRIPTION	MATERIAL OR MODEL NUMBER	PART NUMBER	REQ'D NUMBER			
				Q-1 and later			
1	BASE		277898M02	1			
2	COMPRESSOR		P06374-01	1			
3	RUBBER GROMMET		P03232-01	4			
4	BOLT		C05825-01	2			
5	WIRE CONDENSER		P05098-01	1			
6	COVER - CONDENSER		389475M02	1			
7	TAPPING SCREW - HEX		456789-01	4			
8	FLANGE BOLT (S-TITE)		P02005-01	6			
9	BRACKET - FAN MOTOR		471206M01	1			
10	FAN MOTOR		P00156-01	1			
11	FAN BLADE		P00185-01	1			
12	FLAT WASHER		FWPL04S0	2			
13	SPRING WASHER		FWSP04S0	3			
14	NUT		FNH104S0	2			
15	EVAPORATOR		P05667-01	1			
16	HEAT EXCHANGER		2C1201G01	1			
17	COPPER TUBE A - H		3C1024M01	1			
18	COPPER TUBE(B) - (H)		4C0402M01	1			
19	DRIER		C06620-02	1			
20	COPPER TUBE L		3C1114G01	1			
21	CLIP-THERMISTOR		4R2938-01	1			
22	INSULATION TUBE(ARMA FLEX)		H91022070	2			
23	FUSE		P01103-01	1			
24	DEFROST HEATER		C06091-03	1			
25	SUPPORT - HEATER		3C0302M01	2			
26	TRUSS HEAD TAPPING SCREW T2		FT20406M0	4			
300	TERM BOARD		P06389-01	1			
301	COVER TERM BOARD		P06390-01	1			
302	OLP		P06391-01	1			

MODEL: **HF-78MC-S**

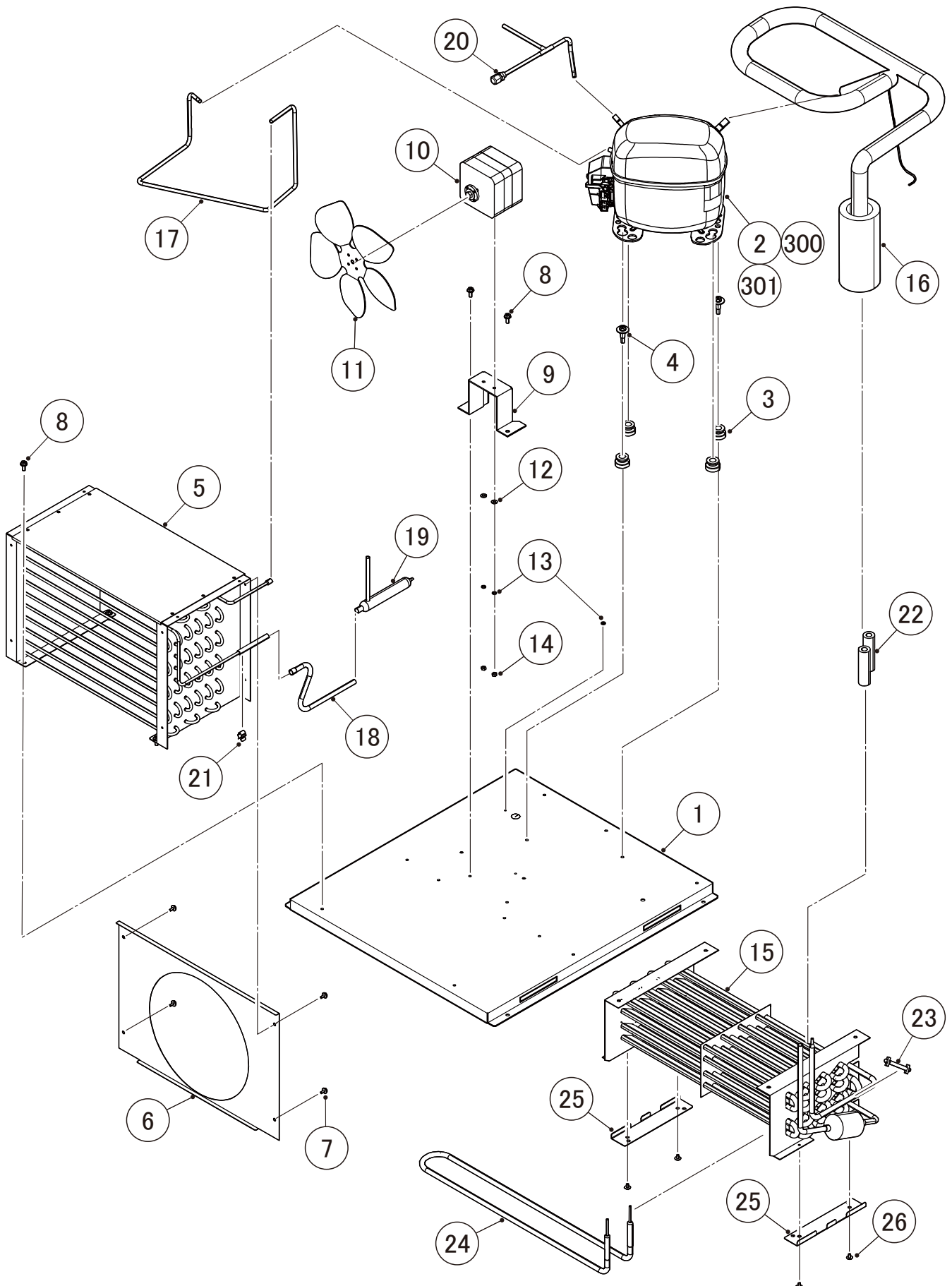
TITLE: **F. REFRIGERATION ASSY**

INDEX NO.	DESCRIPTION	MATERIAL OR MODEL NUMBER	PART NUMBER	REQ'D NUMBER			
				Q-1 and later			
303	TY-RELAY		P06392-01	1			
304	START CAPACITOR		P06393-01	1			
305	CAPACITOR HOLDER		P06394-01	1			

HF-78MC-S-X  
HF-78MC-SLG(-E)

F. REFRIGERATION ASSY

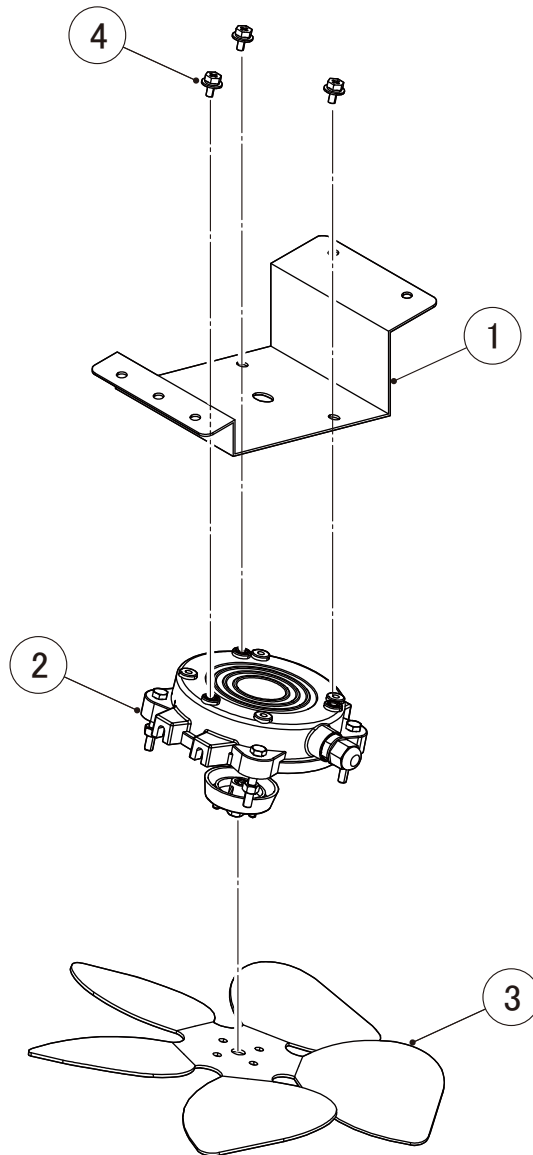
(Q-1) and later



MODEL: **HF-78MC-S-X**  
**HF-78MC-SLG(-E)**

TITLE: **F. REFRIGERATION ASSY**

INDEX NO.	DESCRIPTION	MATERIAL OR MODEL NUMBER	PART NUMBER	REQ'D NUMBER			
				Q-1 and later			
1	BASE		2C1920M02	1			
2	COMPRESSOR		P07231-01	1			
3	RUBBER GROMMET		450897-01	4			
4	BOLT		C05825-01	2			
5	WIRE CONDENSER		P05098-01	1			
6	COVER - CONDENSER		389475M02	1			
7	TAPPING SCREW - HEX		456789-01	6			
8	FLANGE BOLT (S-TITE)		P02005-01	6			
9	BRACKET - FAN MOTOR		471206M01	1			
10	FAN MOTOR		P00156-01	1			
11	FAN BLADE		P00185-01	1			
12	FLAT WASHER		FWPL04S0	2			
13	SPRING WASHER		FWSP04S0	3			
14	NUT		FNH104S0	2			
15	EVAPORATOR		P05667-01	1			
16	HEAT EXCHANGER		2C2070G01	1			
17	COPPER TUBE A - H		3C1784M01	1			
18	COPPER TUBE(B) - (H)		4C0402M01	1			
19	DRIER		C06620-02	1			
20	COPPER TUBE B - L		3C0504G01	1			
21	CLIP-THERMISTOR		4R2938-01	1			
22	INSULATION TUBE(ARMA FLEX)		H91022070	2			
23	FUSE		P01103-01	1			
24	DEFROST HEATER		C06091-03	1			
25	SUPPORT - HEATER		3C0302M01	2			
26	TRUSS HEAD TAPPING SCREW T2		FT20406M0	4			
300	START CAPACITOR		456350-01	1			
301	CORD RELIEF		452239-01	1			



MODEL: **HF-78MC-S(LG,LG-E)**  
**HF-78MC-S-X**

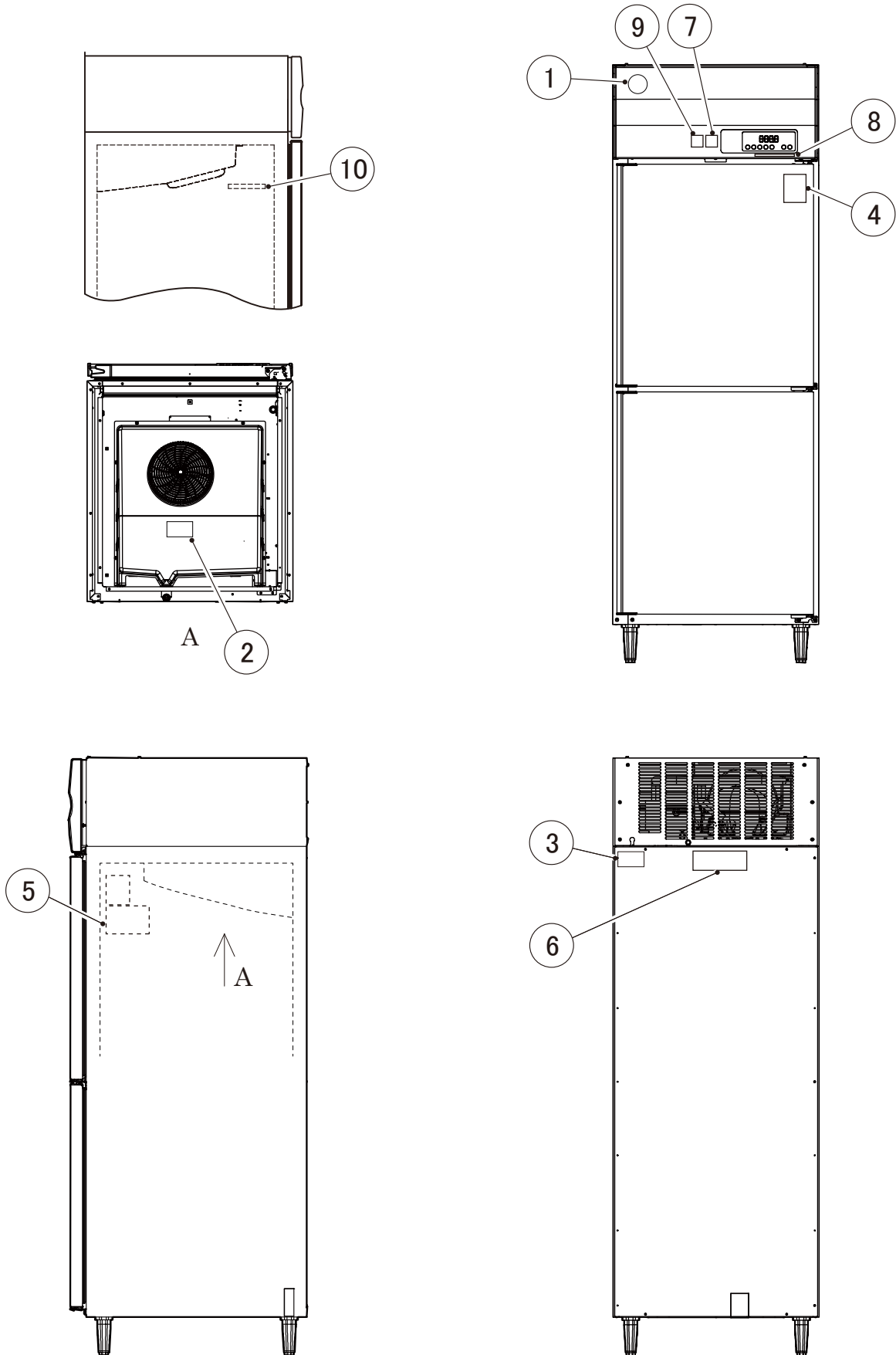
TITLE: **G. FAN MOTOR AY**

INDEX NO.	DESCRIPTION	MATERIAL OR MODEL NUMBER	PART NUMBER	REQ'D NUMBER			
				Q-1 and later			
1	BRACKET-FM		3C1093M02	1			
2	FAN MOTOR		C07230-01	1			
3	FAN BLADE		P00029-01	1			
4	HEX HEAD BOLT SW		FBK0408S0	3			

HF-78MC-S(LG, LG-E)  
HF-78MC-S-X

L. LABEL LOCATION

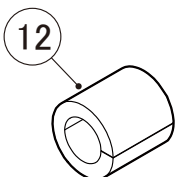
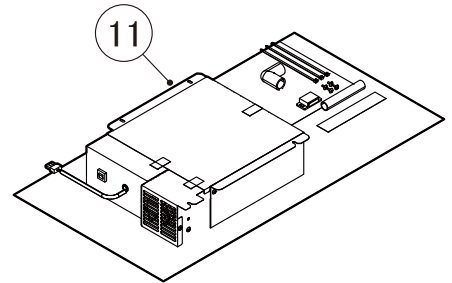
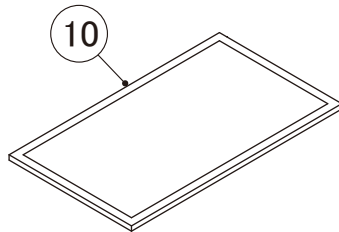
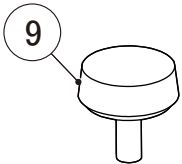
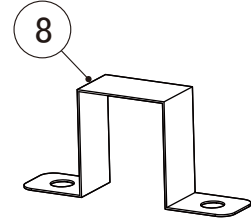
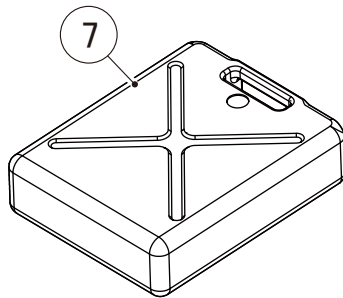
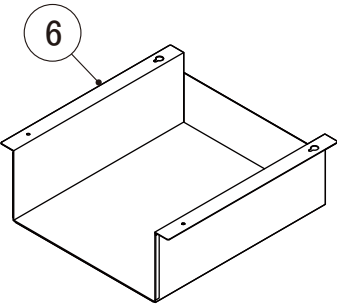
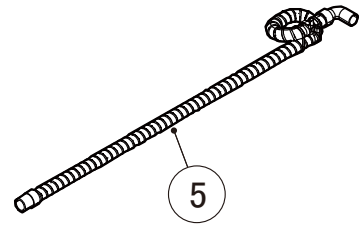
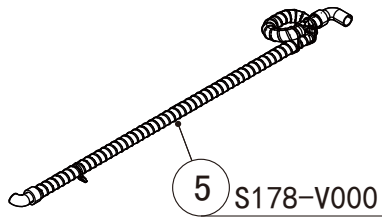
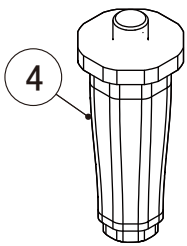
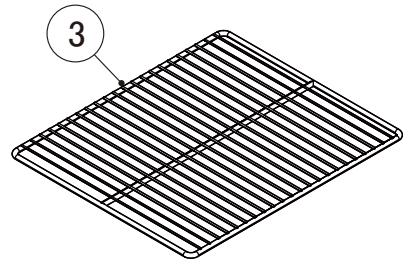
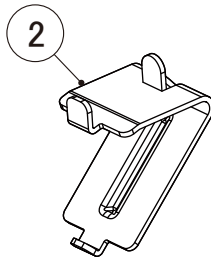
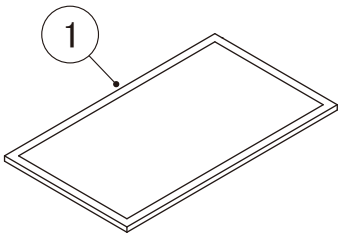
(Q-1) and later



MODEL: **HF-78MC-S(LG,LG-E)**  
**HF-78MC-S-X**

TITLE: **L. LABEL LOCATION**

INDEX NO.	DESCRIPTION	MATERIAL OR MODEL NUMBER	PART NUMBER	REQ'D NUMBER			
				Q-1 and later			
1	CHARACTER LABEL - PENGUIN		475552L02	1			
2	LABEL - FAN COVER		472775L01	1			
3	CAUTION LABEL/CYCLOPENTANE		381437L01	1			
4	LABEL - ADVISORY	S178-V000 S178-V030	399626L01	1			
5	CAUTION LABEL - FIRE A	S178-V000 S178-V030	3J0417L01	1			
6	CAUTION LABEL - FIRE B	S178-V000 S178-V030	3J0418L01	1			
7	LABEL - HACCP		476519L01	1			
8	LABEL-FREEZER		447056-01	1			
9	LABEL QR - CODE	S178-V000 S178-W101 S178-V030 S178-V130 S178-V330 S178-V430	491998L01	1			
10	LABEL - LOAD LIMIT	S178-V000 S178-V030	482995L01	1			



MODEL: **HF-78MC-S(LG,LG-E)**  
**HF-78MC-S-X**

TITLE: **M. ACCESSORIES**

INDEX NO.	DESCRIPTION	MATERIAL OR MODEL NUMBER	PART NUMBER	REQ'D NUMBER			
				Q-1 and later			
1	INSTRUCTIONS MANUAL		L1S174***	1			
2	CLIP-SHELF		428957-01	16			
3	SHELF - 77HD		372087G01	4			
4	LEG		P05012-01	4			
5	DRAIN HOSE ASSY	S178-V000	471190003	1			
		S178-W101 S178-C100 S178-V030 S178-V130 S178-V230 S178-V330 S178-V430	471190002	1			
6	BRACKET - TANK L	S178-V000	3C1494M01	1			
7	DRAIN TANK	S178-V000	1C0830P01	1			
8	BRACKET	S178-V000	4C0885M01	1			
9	THUMBSCREW	S178-V000	428833-01	6			
10	INSTRUCTION SHEET - EVAPORATING PAN	S178-W101 S178-C100 S178-V030 S178-V130 S178-V230 S178-V330 S178-V430	2C1547L01	1			
11	EVAPORATING PAN SET	S178-W101 S178-C100 S178-V030 S178-V130 S178-V230 S178-V330 S178-V430	272922002	1			
12	HOLDER - SHELF	S178-C100	4R6243Z01	1			